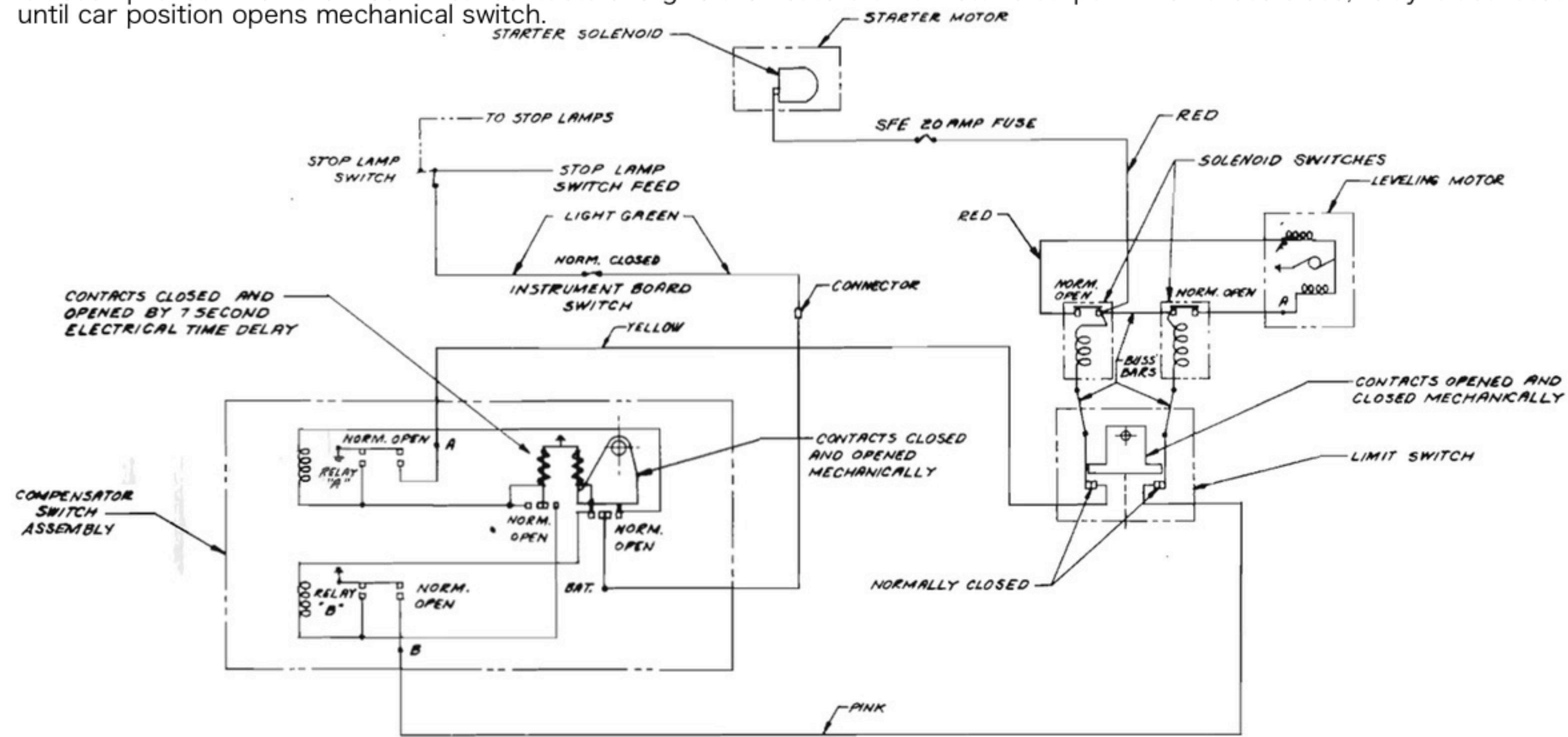


This is an extraction of the torsion level system to show the internal components in the control switch. The 5-7 second delay is accomplished when the mechanical contacts energize the heaters on bimetallic strips. When those close, relay is activated until car position opens mechanical switch.



Compensator Electrical Circuit 55th Series

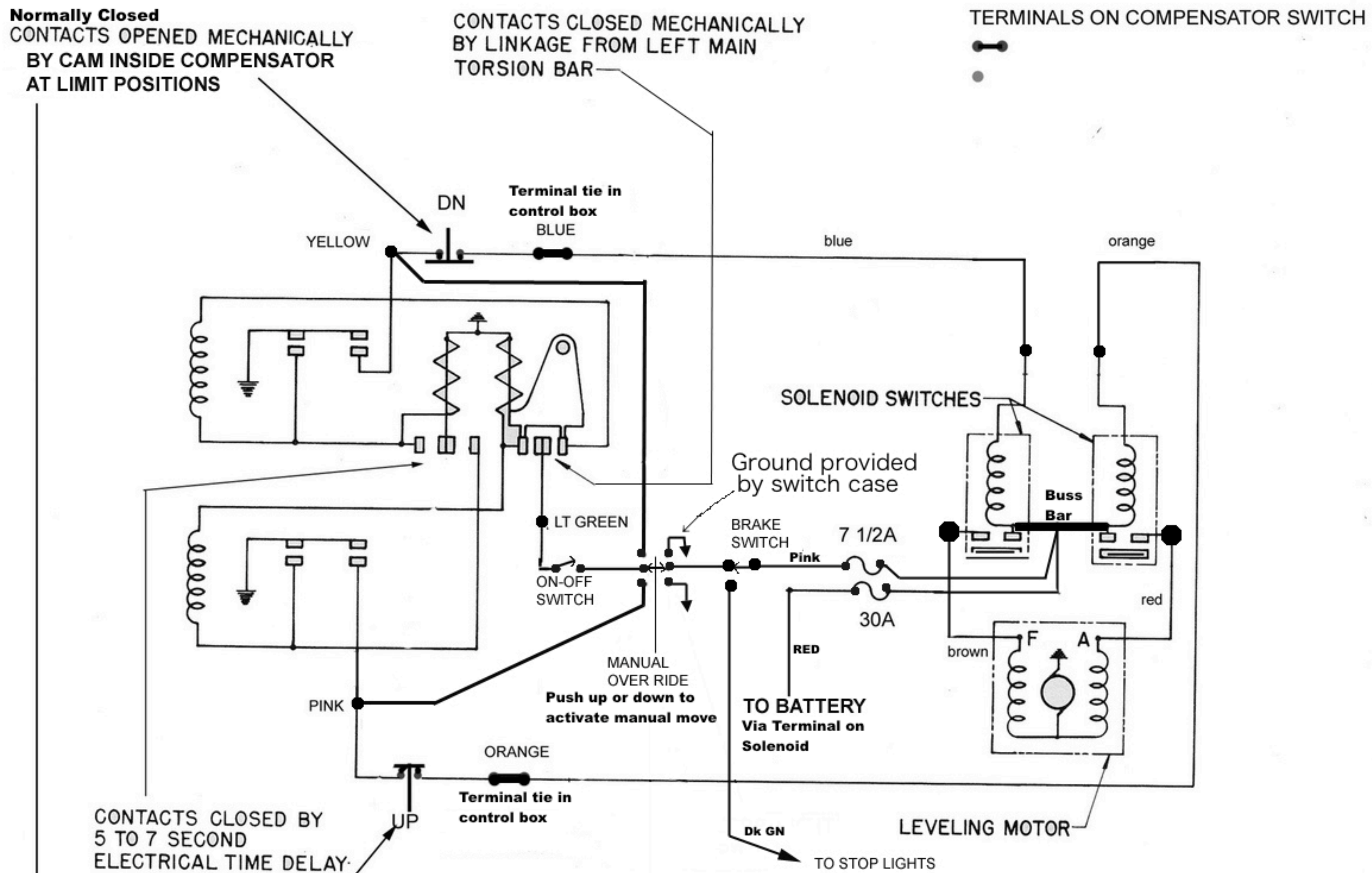


Fig. 9—Compensator Electrical Circuit Diagram (56 Series) (Accessory Manual control switch shown)