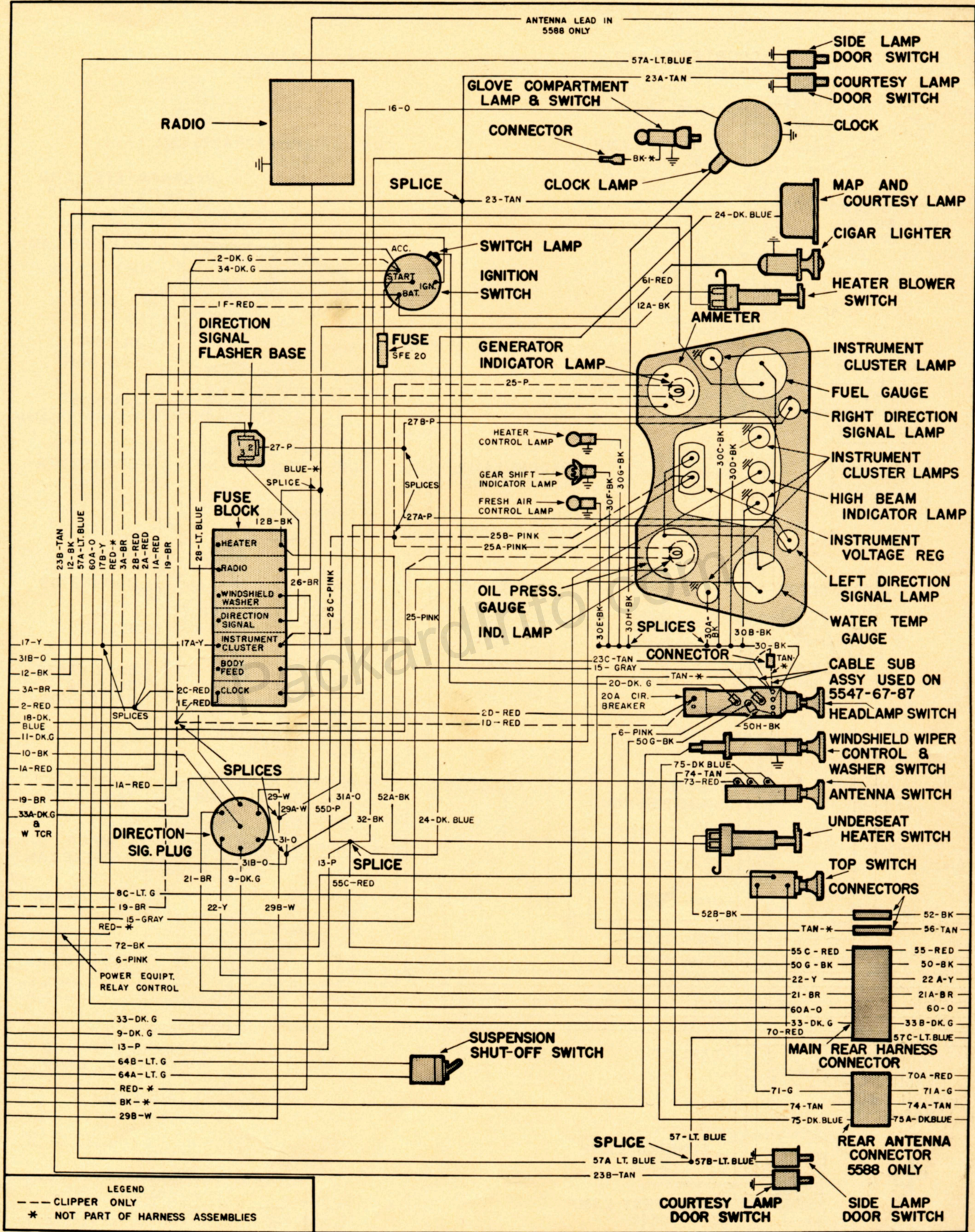
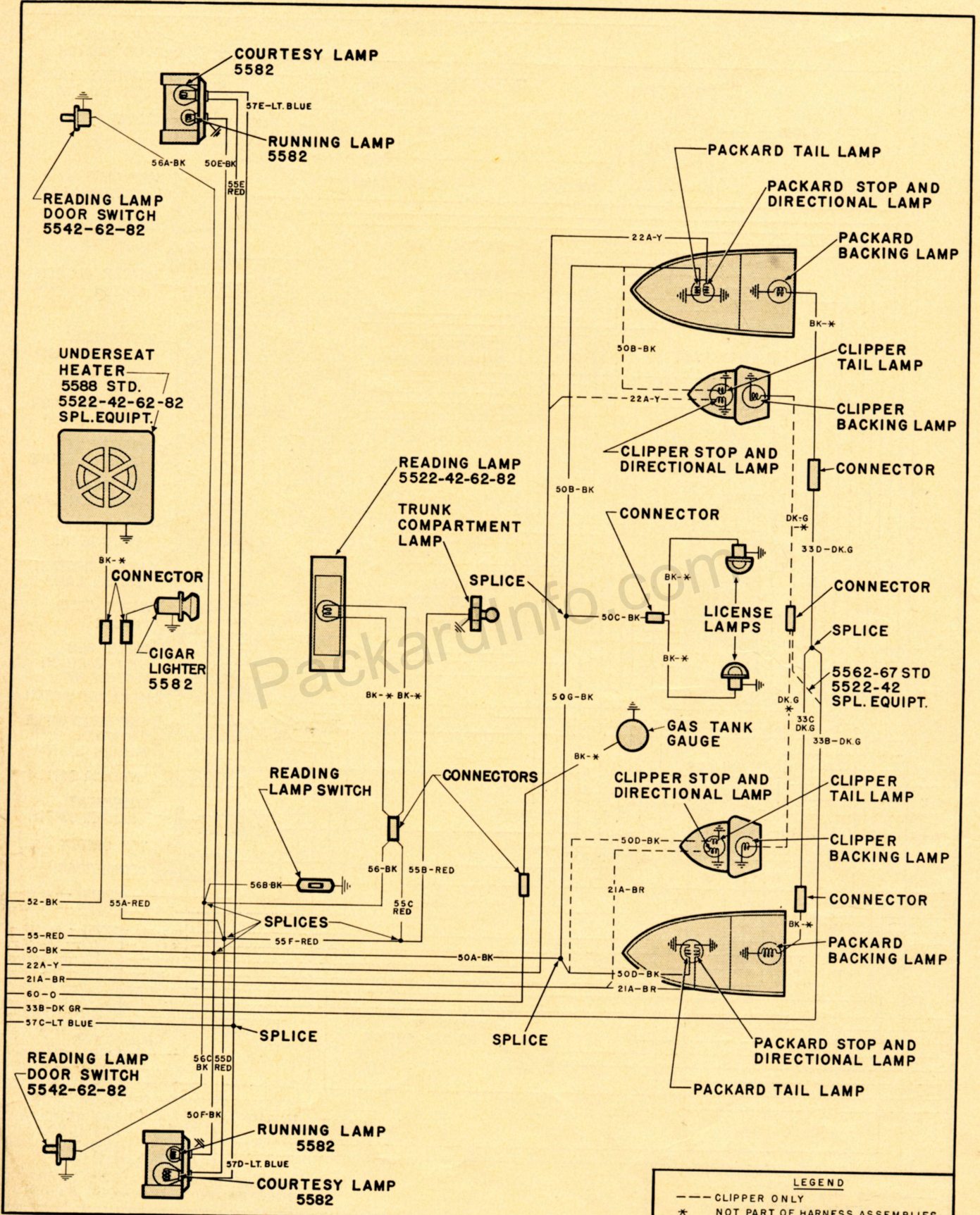


55th Series Engine Compartment Wiring Diagram



55th Series Driver's Compartment Wiring Diagram



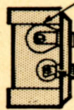
55th Series Rear Chassis and Body Wiring Diagram (5522-42-62 and 82)

LEGEND
 --- CLIPPER ONLY
 * NOT PART OF HARNESS ASSEMBLIES

ANTENNA LEAD IN 5588 ONLY

COURTESY LAMP
5587-88

ELECTRIC ANTENNA
REAR 5588



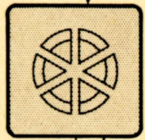
RUNNING LAMP
5587-88

50E-BK-5587
50H-BK-5588

SPLICE 5588

READING LAMP
5547-67-87

UNDERSEAT
HEATER
5588-STD
5547-67-87SPL EQUIPT.



CONNECTOR

READING LAMP
SWITCH 5588

CIGAR LIGHTER
RIGHT 5587 ONLY



READING LAMP
5588

TRUNK
COMPARTMENT
LAMP

SPLICE

CONNECTORS

TOP MOTOR
5588

READING
LAMP 5547-67
-5587

CIGAR LIGHTER
LEFT 5587
ONLY



50E-BK-5587
50F-BK-5588
55E-RED-5587
55D-RED-5588

CONNECTORS

GAS TANK
GAUGE

CLIPPER STOP AND
DIRECTIONAL LAMP

50G-BK-5587
50J-BK-5588

CLIPPER STOP AND
DIRECTIONAL LAMP

21A-BR

50D-BK

21A-BR

50G-BK-5587
50F-BK-5588

CLIPPER STOP AND
DIRECTIONAL LAMP

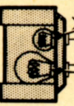
PACKARD TAIL LAMP

74C-TAN

ELECTRIC ANTENNA
REAR 5588

RUNNING LAMP
5587-88

COURTESY LAMP
5587-88



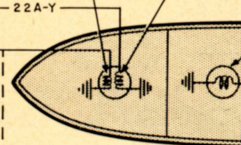
78B-TAN

75B-DK BLUE

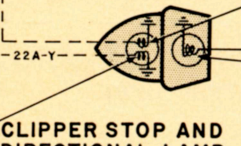
PACKARD TAIL LAMP

PACKARD STOP AND
DIRECTIONAL LAMP

PACKARD
BACKING LAMP



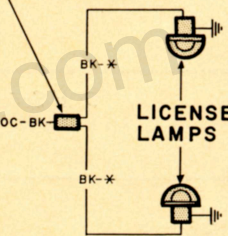
CLIPPER
TAIL LAMP



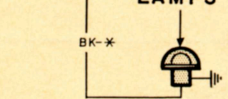
CLIPPER
BACKING LAMP

CLIPPER STOP AND
DIRECTIONAL LAMP

CONNECTOR



LICENSE
LAMPS



CONNECTOR

SPLICE

5567

CONNECTOR

SPLICE

CLIPPER
TAIL LAMP

CLIPPER
BACKING LAMP

CONNECTOR

PACKARD
BACKING LAMP

PACKARD STOP AND
DIRECTIONAL LAMP

CONNECTOR

PACKARD TAIL LAMP

- 52-BK
- 56-TAN
- 55-RED
- 50-BK
- 22A-Y
- 21A-BR
- 60-O
- 33B-DK.GR
- 57C-LT.BLUE

50F-BK-5587
50E-BK-5588

SPLICES

SPLICES

70A-RED

71A-G

74A-TAN

75A-DK BLUE

55G-RED-5587
55E-RED-5588

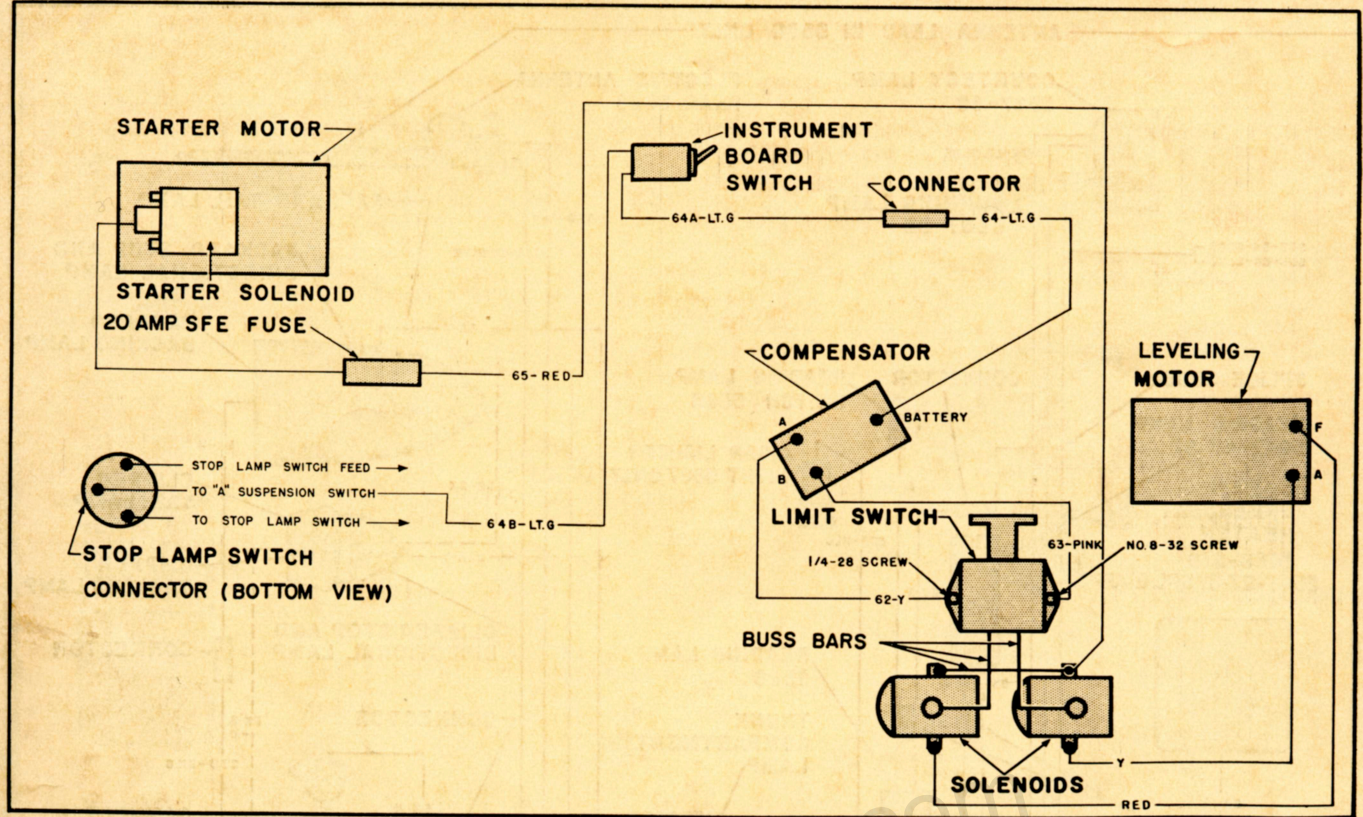
57D-LT.BLUE

75C-DK BLUE

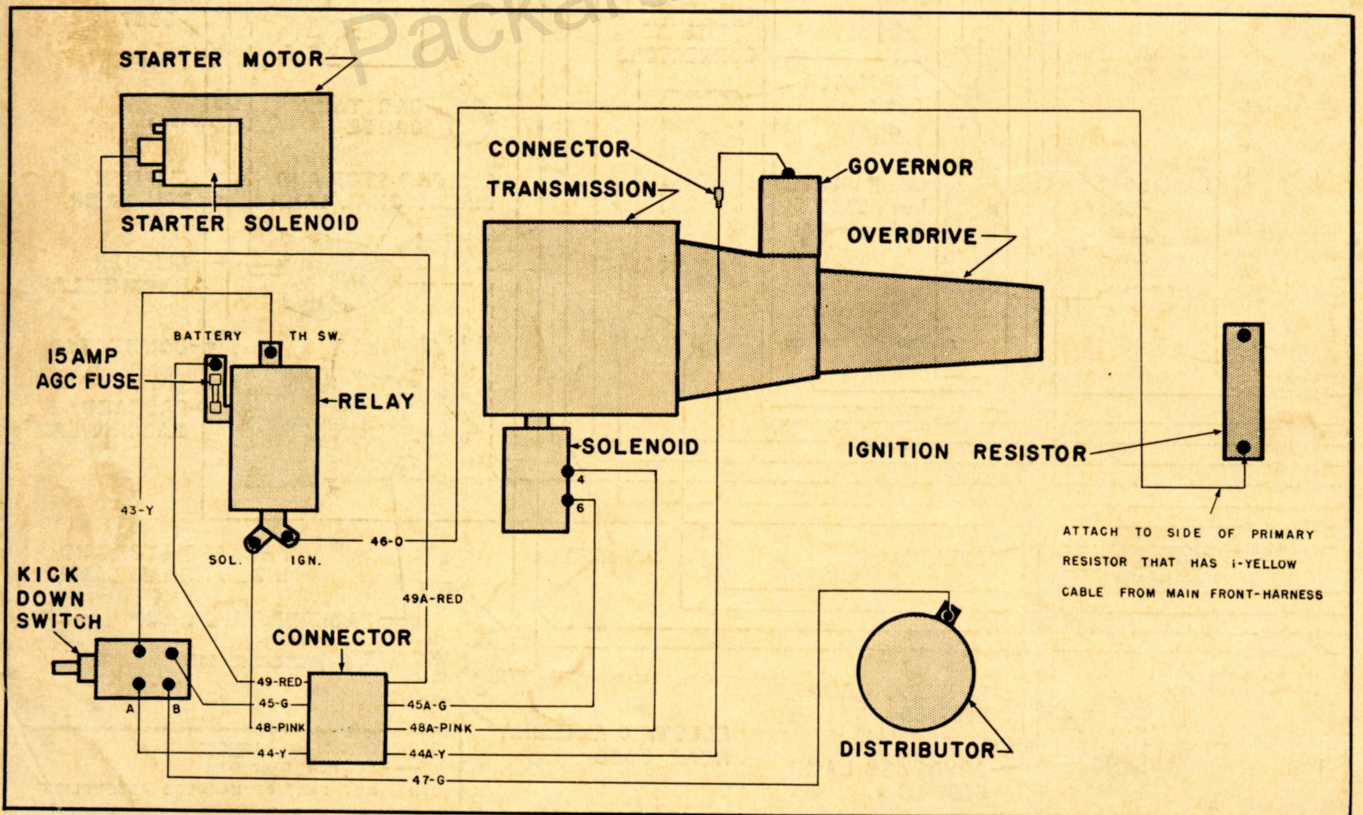
LEGEND

- CLIPPER ONLY
- * NOT PART OF HARNESS ASSEMBLIES

55th Series Rear Chassis and Body Wiring Diagram (5547-67-87 and 88)



55th Series Torsion Lever Suspension Wiring Diagram



55th Series Over-Drive Wiring Diagram

NO	GA.	COLOR
1-1A-1B-1C 1D-1E	12	RED
2	12	BLACK
3	12	YELLOW
4	12	LIGHT GREEN
4A-4B	12	BLACK
5	12	LIGHT BLUE
5A-5B	12	YELLOW
6	12	GRAY
6A-6B	12	BLACK
7	12	BROWN
7A-7B	12	YELLOW
8	12	PINK
8A-8B	12	BLACK
9	12	PURPLE
9A-9B	12	YELLOW

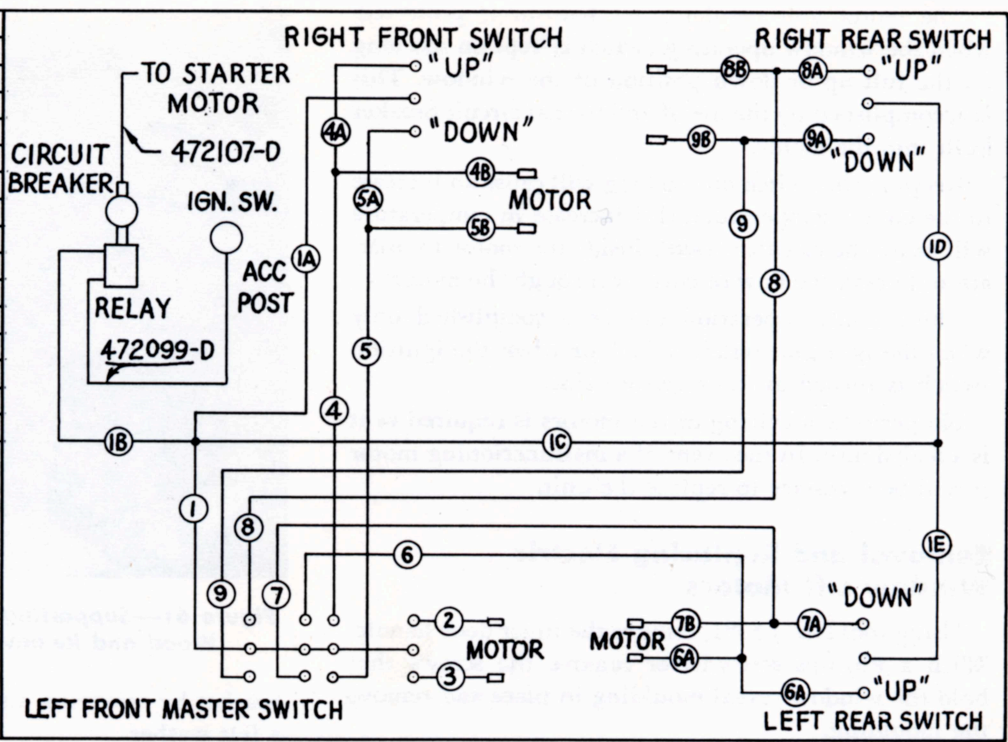


Figure 63—Electric Window Lift Motor Wiring Diagram

ELECTRICAL

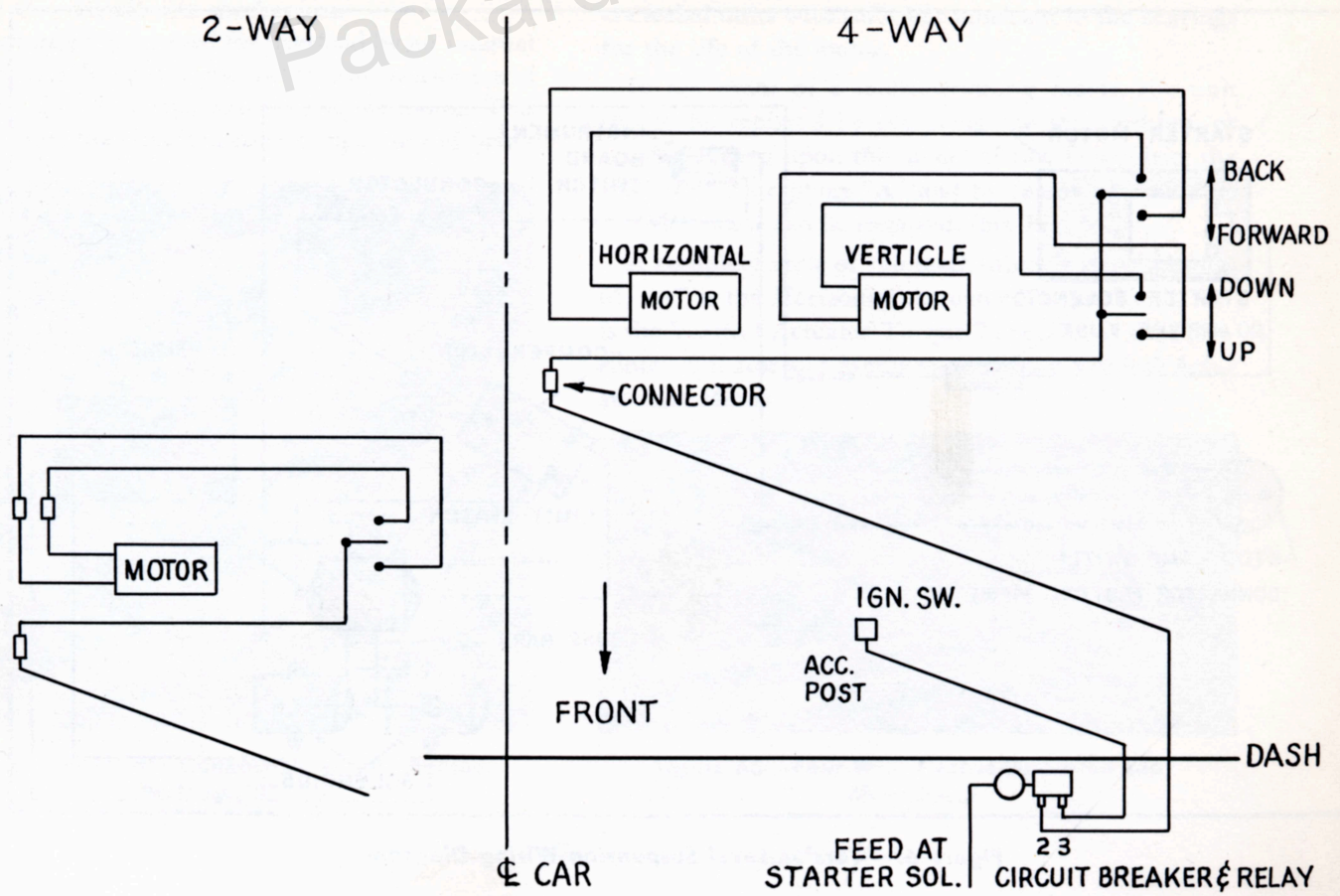


Figure 66—Two and Four Way Electric Seat Wiring Diagram

WIRING DIAGRAM · HYDRO-LECTRIC SYSTEM

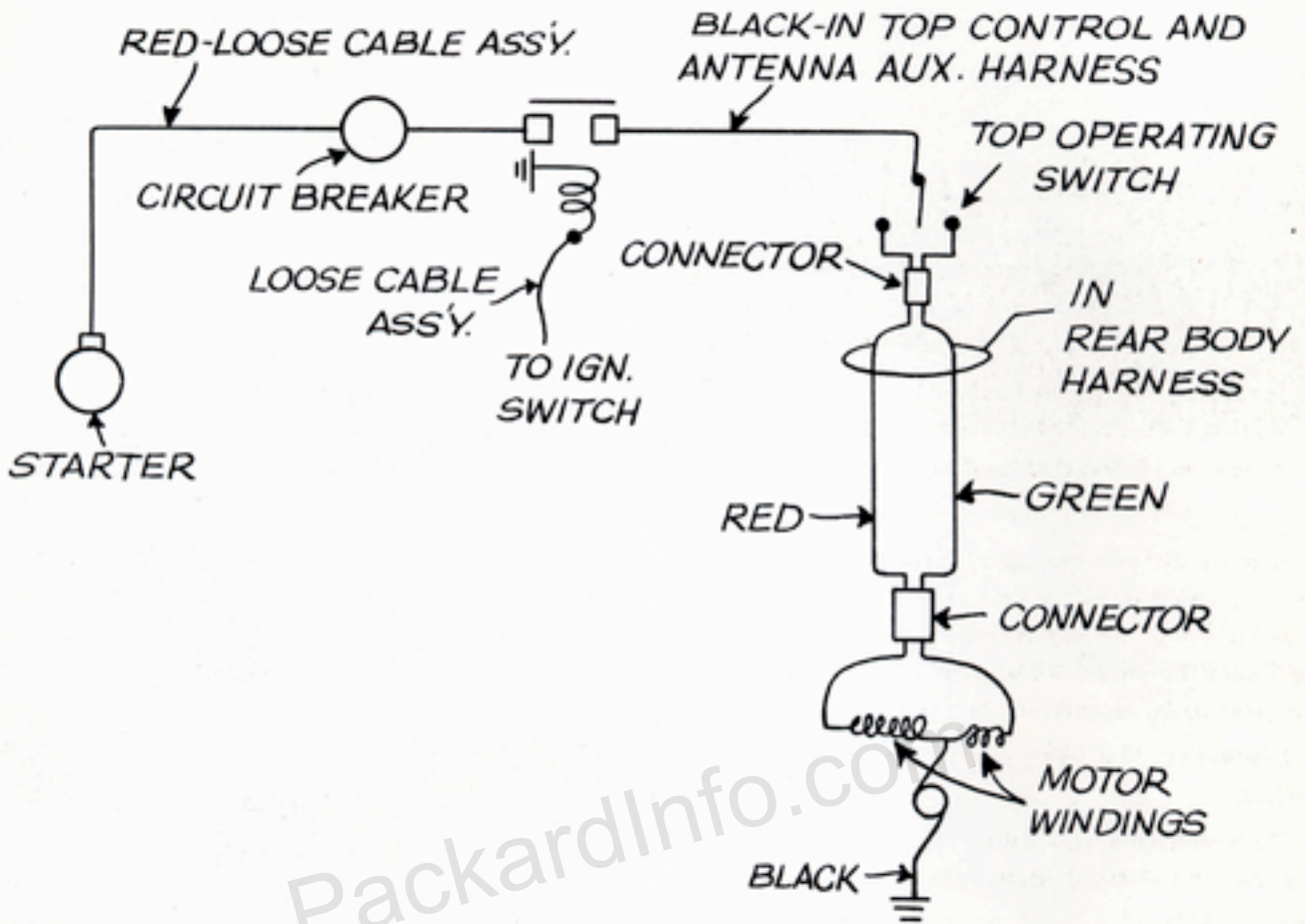


Figure 87—Wiring Diagram for the Hydro-Lectric Unit

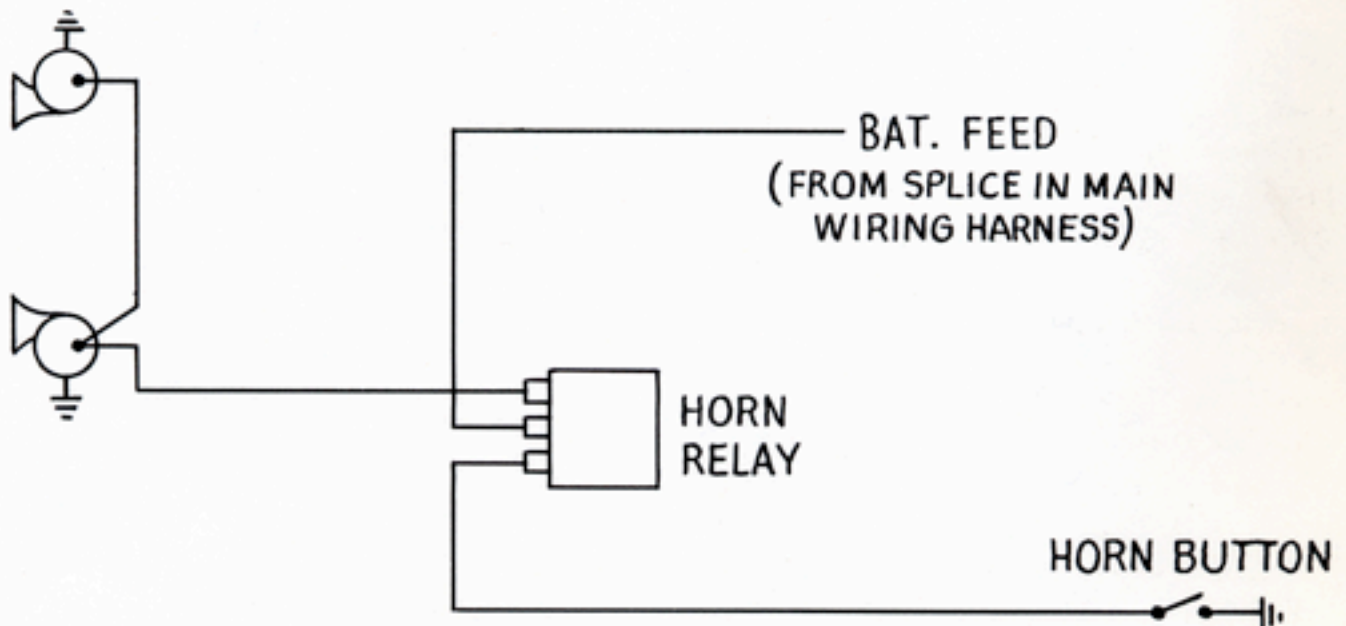


Figure 73—Horn Wiring Diagram